

ALI CERTIFIED



\* Optional 2-foot height extension kit sold separately.

## PROFESSIONAL GRADE LIFTING

Engineered for professional automotive shops, this 10,000 lb capacity 2-post overhead lift features dual direct-drive cylinders and a versatile 3-stage arm design. **Proudly ALI Certified** to guarantee maximum safety, performance, and reliability.

### IDEAL FOR:

- ✓ Commercial Auto Repair Shops
- ✓ Dealership Service Centers
- ✓ Heavy-Duty Fleet Maintenance

## SYSTEM FEATURES



### Advanced Safety Systems

Equipped with automatic safety locks featuring a single-point lock release system and automatic arm restraints for secure lifting.



### Dual Direct Drive Hydraulics

Powered by robust dual direct-drive hydraulic cylinders, ensuring smooth, reliable, and powerful lifting performance every time.



### Versatile Arm Design

Compact three-stage front and rear arm design allows for both asymmetric and symmetric lifting, accommodating a wide range of vehicles.



### Comprehensive Accessories

Includes two-stage drop-in pads and a complete set of height extensions (1.5", 3" & 6") to reach specialized lifting points.



ALI CERTIFIED

• Matte Powder Coat Finish

• 144.5" Overall Height

• 10,000 lbs Lifting Capacity

• 3 Adjustable Width Settings

• 1 Year Warranty

### DISTRIBUTOR PROGRAM

We are looking for distributors and installers in Canada and the USA. Contact us for details.

# SPECIFICATIONS

BR10-20H-33 | 10,000 LBS 2-POST OVERHEAD LIFT

ALI CERTIFIED

## POWER REQUIREMENTS

240V 3HP 12A 1PH 60Hz

## LIFTING CAPACITY

10,000 lbs

## GENERAL DIMENSIONS

Overall Height (to floor): 144.5"

Clearance under arm (full height): 70"

Min. pad height (down position): 4"

Vehicle clearance between arms: 113"

Post Dimensions: 7" x 12"

Post Base Dimensions: 18" x 18"

## 3 ADJUSTABLE WIDTH SETTINGS

Setting	Overall	Inside Cols.	Drive-Thru
Narrow	140.43"	111.42"	88.15"
Medium	146.34"	117.32"	94.06"
Wide	152.24"	123.23"	99.96"

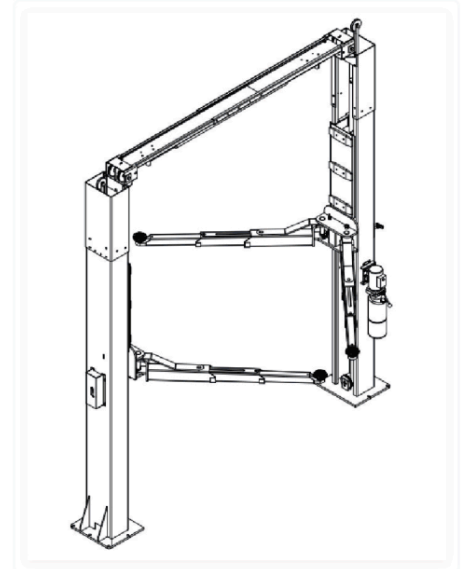
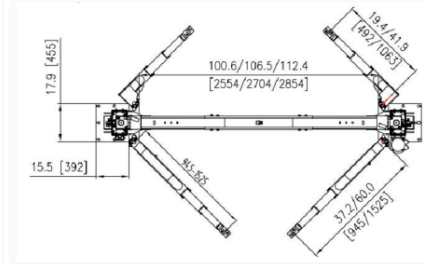
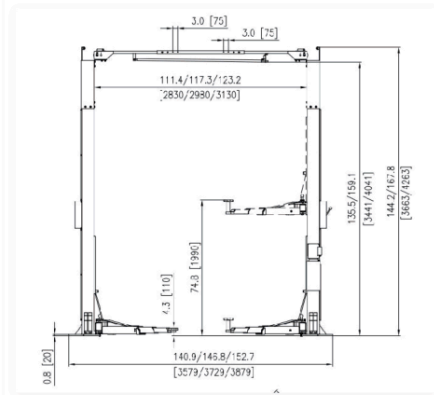
## SHIPPING INFORMATION

**Main Lift:** 142" x 23" x 44" | 2,100 lbs

*(Pump attached to lift. Included in dimensions)*

**Optional Height Kit:** 31" x 18" x 17" | 200 lbs

## EQUIPMENT PROFILE & CLEARANCES



SAFETY COVER WITH HANDLES REQUIRES 9" OF SPACE TO OPERATE. DIMENSIONS AND ITEMS ARE SUBJECT TO CHANGE.

