

1 2 3 4 5 6

A

A

B

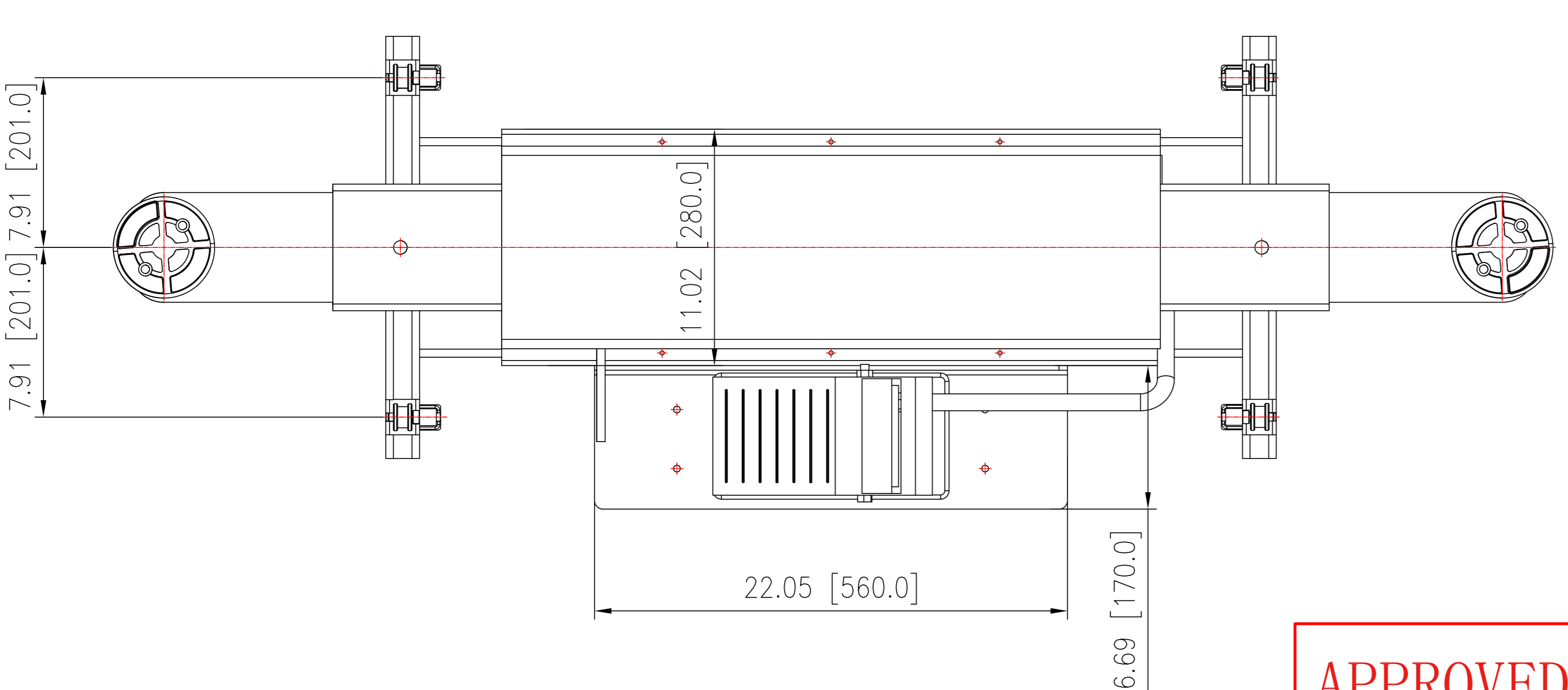
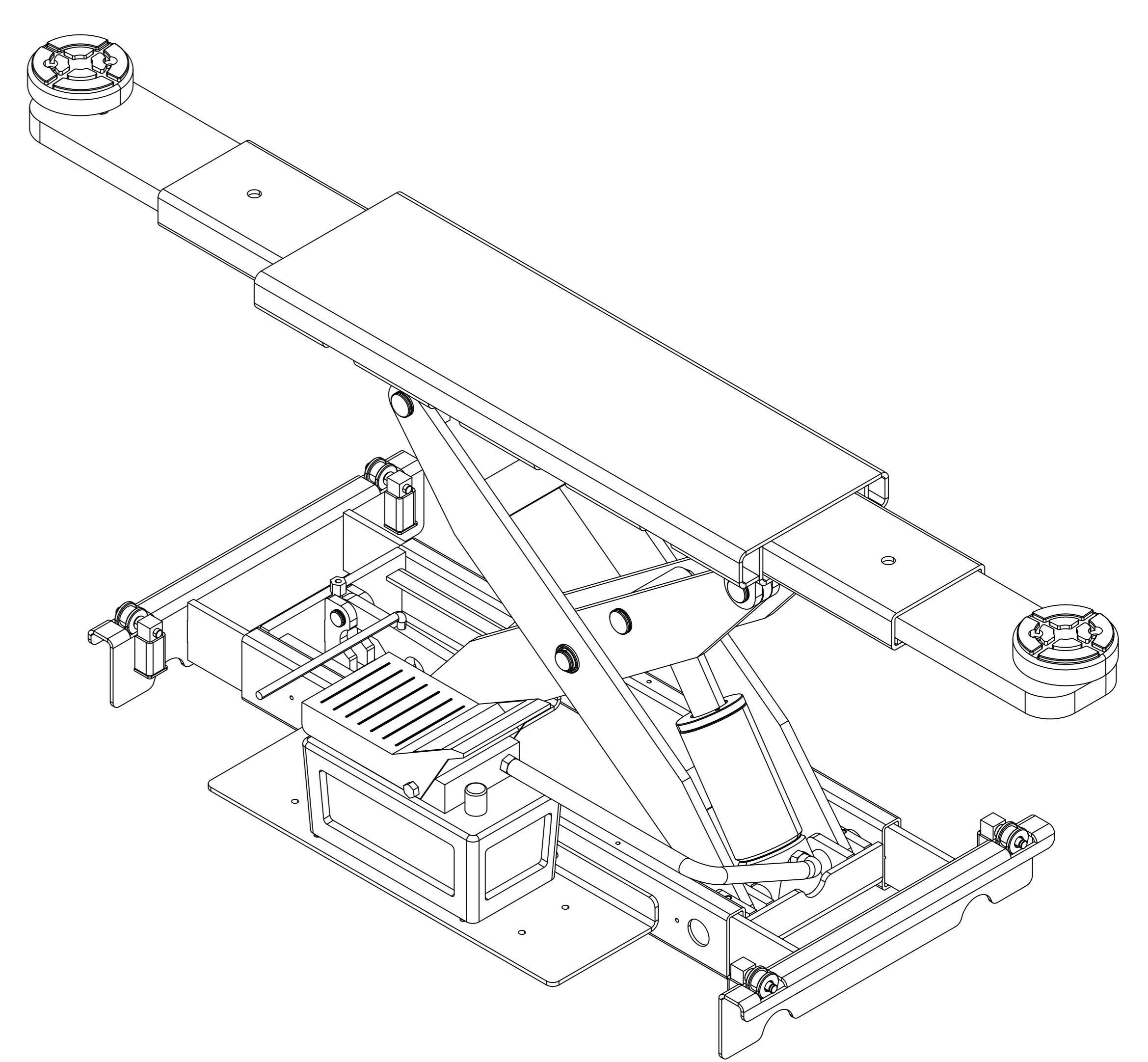
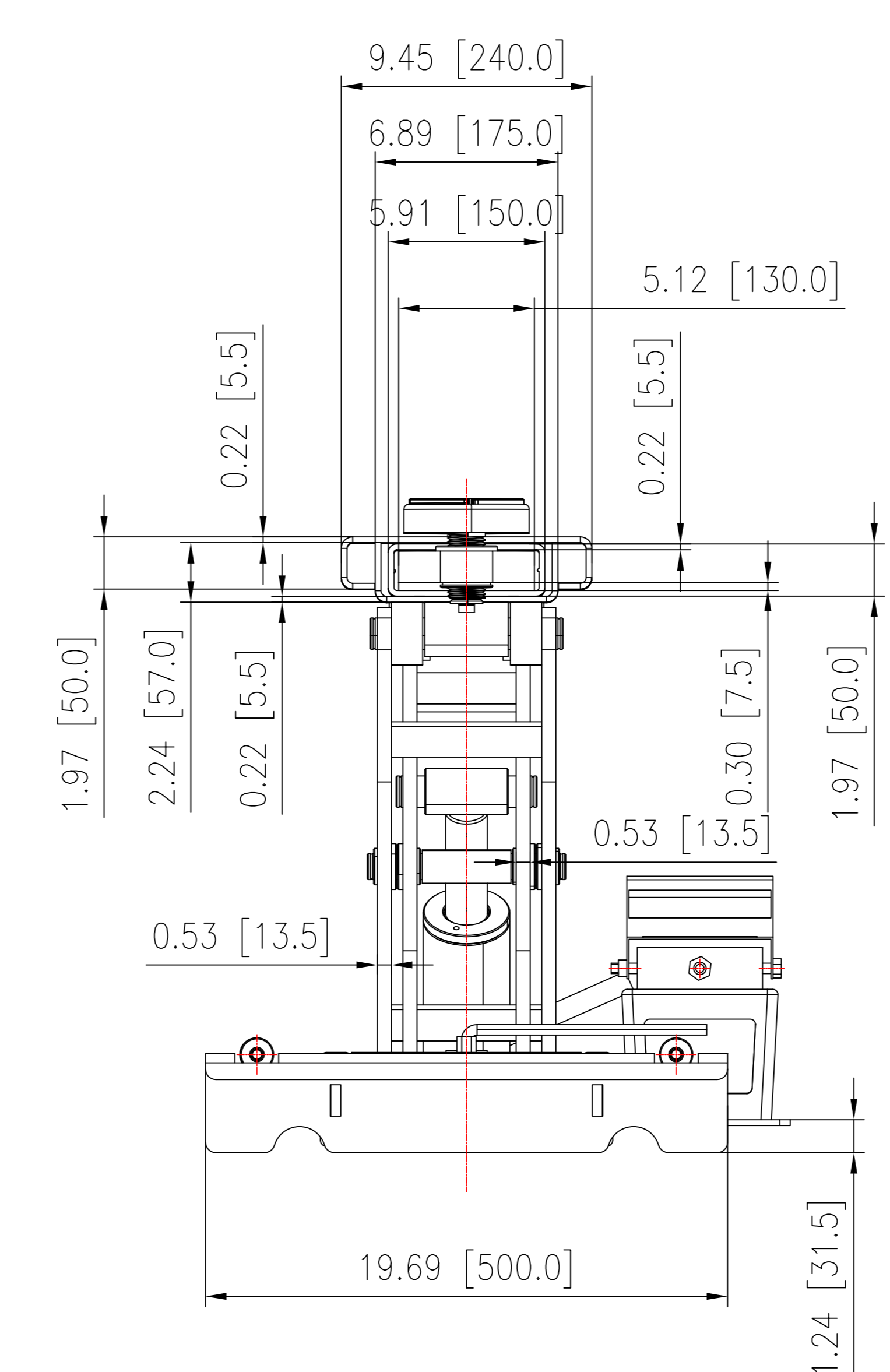
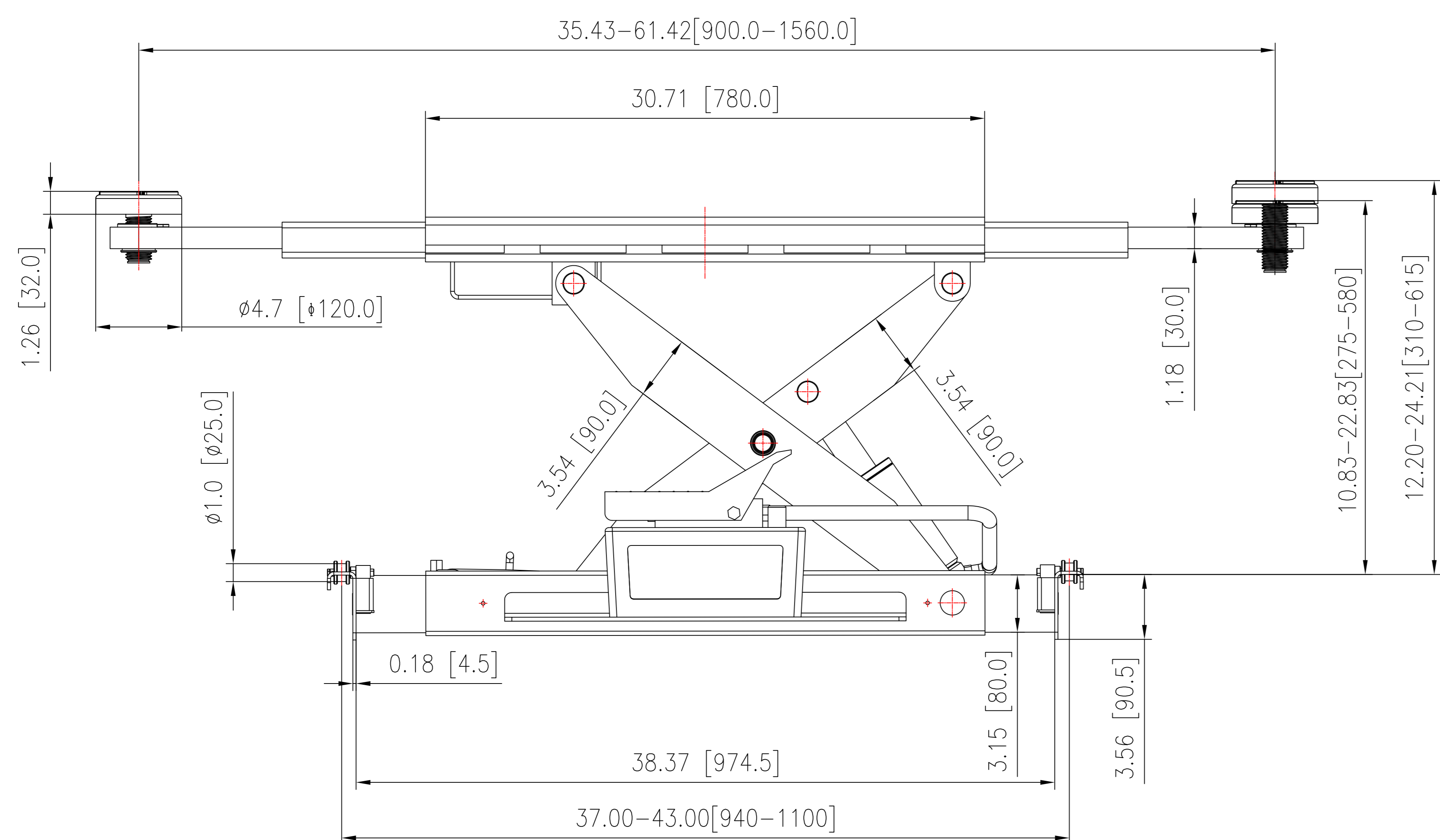
B

C

C

D

D



RAJ6  
ROLLING JACK FOR PARKING LIFT

APPROVED FOR PRODUCTION  
 Certified Engineer: *Ruqing Li*  
 Cert. No. : B093201001233320001  
 Date: 10.02.2026



1 2 3 4 5 6