



Made durable with a ¼" thick post, stronger inside carriage and evolved arm design. Wide drive through clearance. Hydraulic/chain drive system, single lock release system, and a 3/8" steel cable.

\$2,799.99*

Reg - \$3,900.00*

LIMITED OFFER - AVAILABLE WHILE
SUPPLIES LAST

Features

- Door Protectors
- Single Point lock release
- Front- 3 stage / Rear- 2 Stage Arm Design
- Height Limit Switch on post for ensured safety
- Chain-driven system, for a faster lifting speed.
- Powder Coated Surface for looks and durability
- Wear-resistant, heat-resistant and high strength macromolecular polyethylene slide blocks
- Curved Plate Inner Arm Design For added strength



Specifications

Capacity - 9,000lb

Overall Width - 135.3"

Lifting Height - 70.9"

Inside Column - 114.2"

Power - 220v 1PH

Overall height - 152.7"



Screw up Lift Pads



Evolved Arm Design



Single point lock release

DAYTONA AUTOMOTIVE EQUIPMENT | A DIVISION OF BUDGET AUTOMOTIVE EQUIPMENT

101 APPLEWOOD DR. | BRIGHTON, ON. K0K 1H0 | 1.866.219.9991

WWW.DAYTONAPRODUCTS.COM

DIMENSIONS, COLOURS AND ITEMS ARE SUBJECT TO CHANGE WITHOUT PRIOR NOTICE DUE TO DAYTONA'S CONTINUOUS IMPROVEMENT PROGRAM.

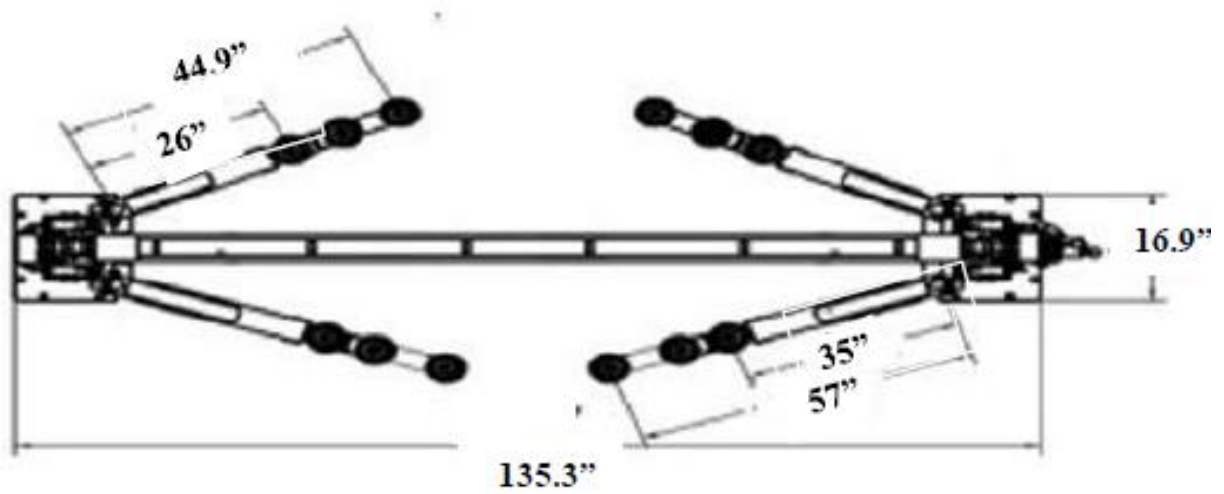
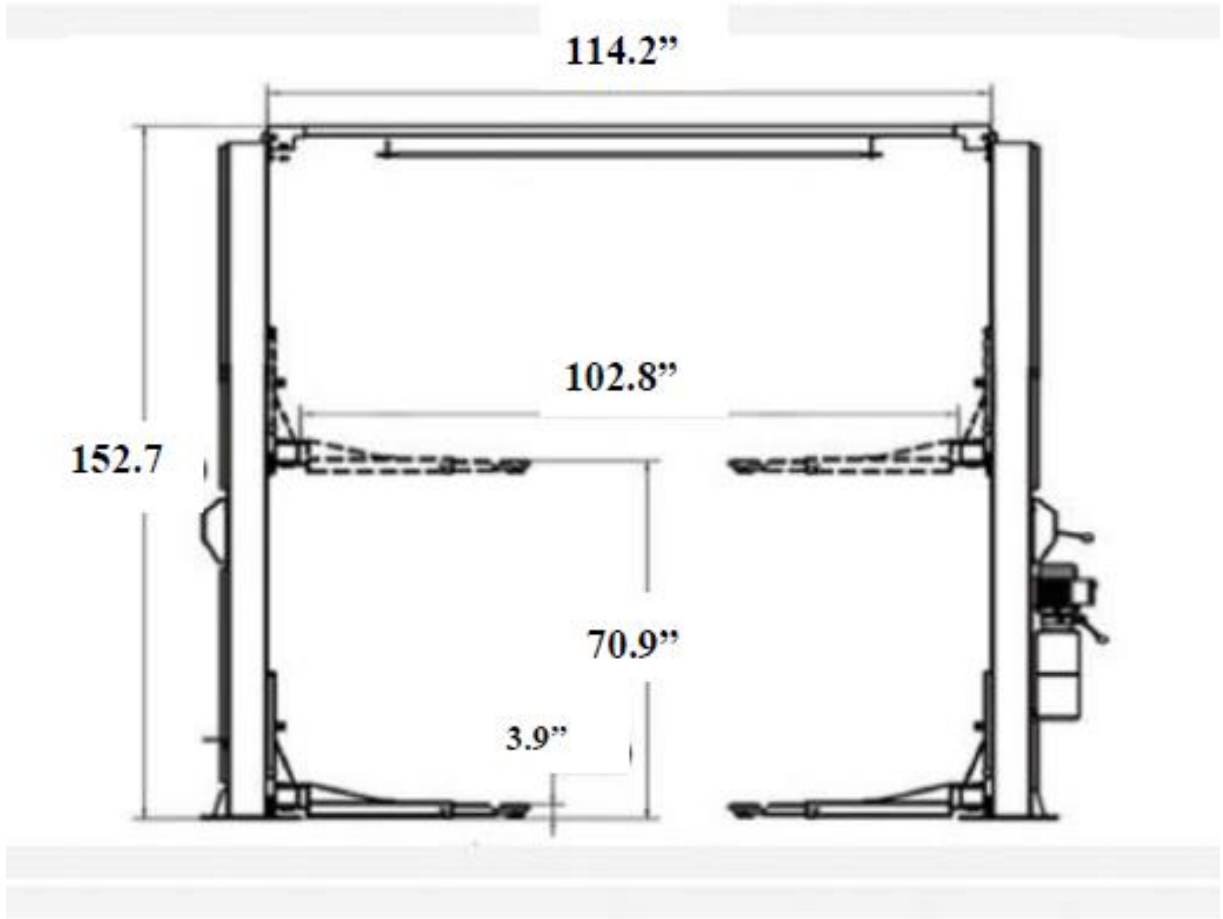
CLEARANCE ITEMS ARE SOLD AS IS WITHOUT OUR DAYTONA LIMITED WARRANTY

Daytona

AUTOMOTIVE EQUIPMENT



CANADIAN OWNED AND OPERATED
SINCE 1999



WWW.DAYTONAPRODUCTS.COM

DIMENSIONS, COLOURS AND ITEMS ARE SUBJECT TO CHANGE WITHOUT PRIOR NOTICE DUE TO DAYTONA'S CONTINUOUS IMPROVEMENT PROGRAM.
CLEARANCE ITEMS ARE SOLD AS IS WITHOUT OUR DAYTONA LIMITED WARRANTY