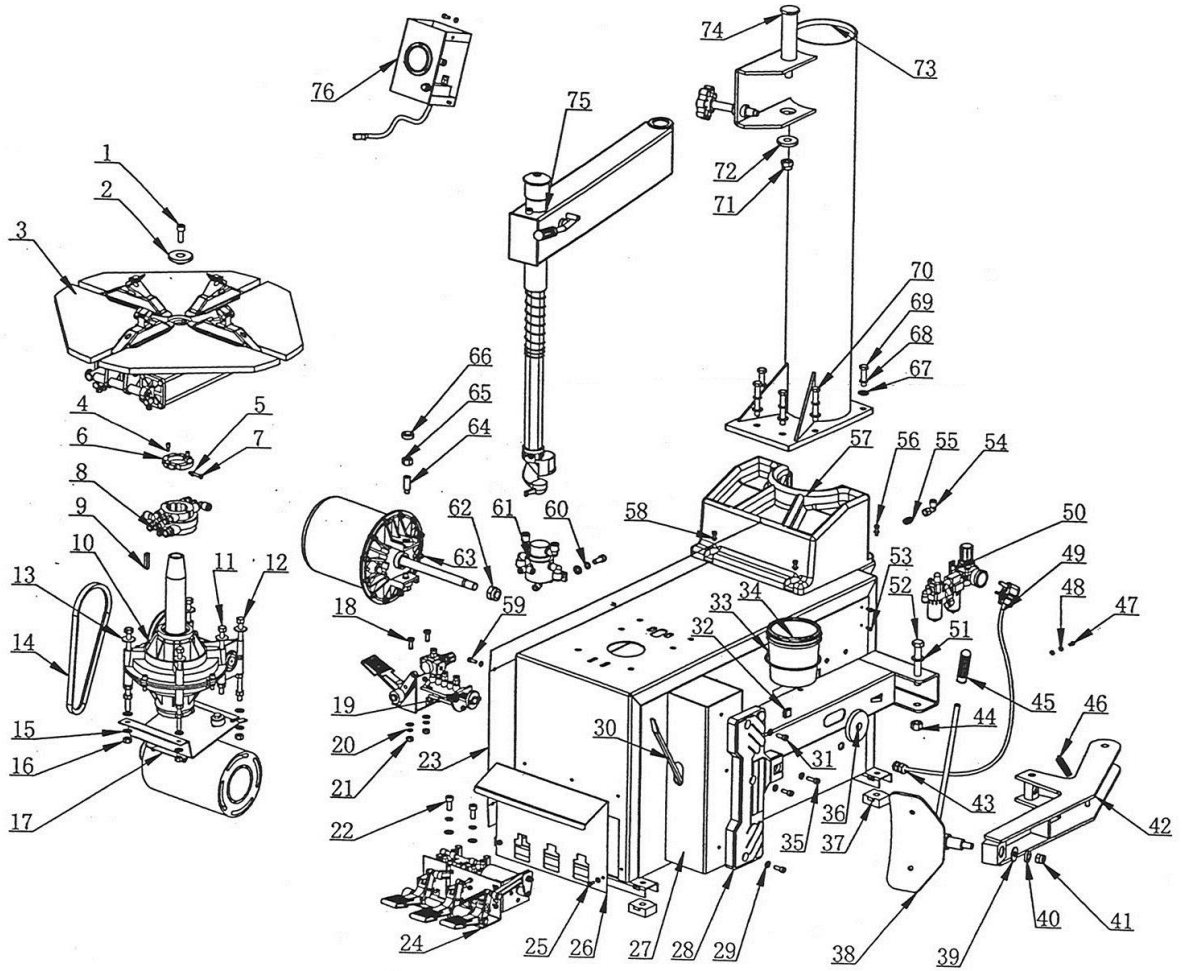


**DAYTONA
AUTOMOTIVE
EQUIPMENT**

**C880
PARTS LIST**

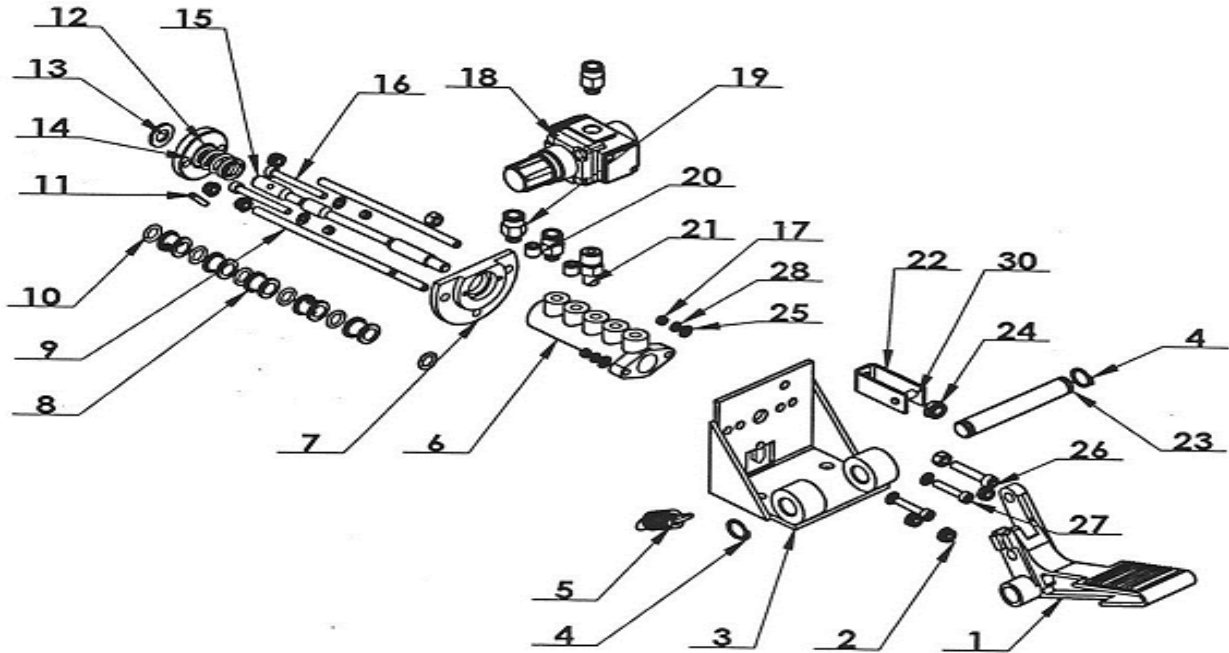
C-880 Tire Changer Parts Breakdown



Reference #	Qty	Description	Reference #	Qty	Description
1	1	Screw M12 x 30-N	39	1	Washer
2	1	Press Cover	40	1	Washer 14
3	1	Turntable Assembly	41	1	Nut M14
4	2	Screw M8 x 20	42	1	Bead Breaker
5	2	Plain Washers 6	43	1	Cable Connector
6	1	Clamp Ring	44	1	Nut M16-N

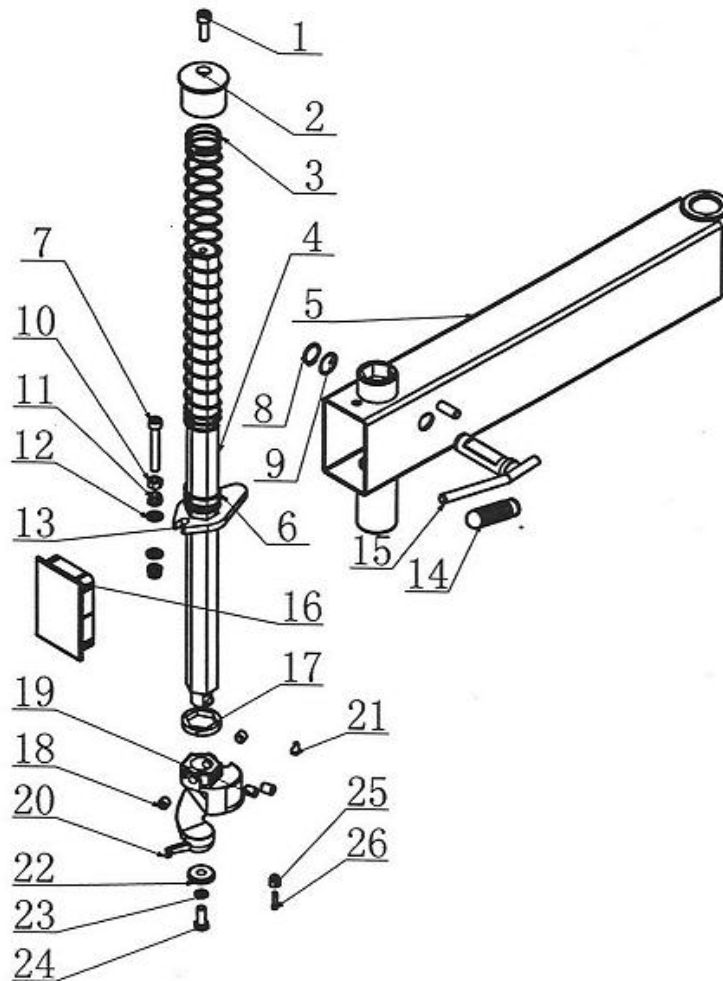
7	2	BPLT M6 x 35 -35-N	45	1	Rubber Cover
8	1	Air Guider Assembly	46	1	Spring
9	1	Straight Key 12 x 45	47	1	Bolt M5 x 10-N
10	1	Gearbox Assembly	48	2	Washer 5
11	2	Bolt M10 x 160	49	1	Cable
12	4	Bolt M10 x 200	50	1	Air Regulator Assy.
13	6	Washer 10	51	1	Washer 16
14	1	Belt A26	52	1	Bolt M16 x 100
15	18	Washer 10	53	2	Screw M5 x 12
16	14	Nut M10	54	1	Tee 08-U02
17	1	Motor Assembly	55	1	Insert Fitting $\Phi 8$, R1/4"
18	2	Bolt M8 x 20	56	2	Screw M6 x 20-N
19	1	Quick Inflation Pedal Assy	57	1	Tool Box
20	2	Washer 8	58	16	Washer 6
21	2	Nut M8	59	7	Screw M6 x 16-N
22	4	Screw M10 x 25	60	4	Washer 10
23	1	Side Panel	61	1	Quick Exhaust Valve Assy
24	1	Pedal Assy.	62	1	Nut M18-N
25	7	Screw M6 x 12-N	63	1	Bead Breaker Cylinder Assy.
26	1	Protective Cover	64	2	Screw M14 x 42
27	1	Body	65	2	Nut M14
28	1	Rubber Pad Plate	66	1	Sealed Cover
29	6	Washer 8	67	6	Washer 12
30	1	Crowbar	68	6	Washer 12
31	3	Screw M8 x 20	69	2	Bolt M12 x 45
32	1	Rubber Block	70	4	Bolt M12 x 80
33	1	Bracket	71	1	Nut M16
34	1	Grease Container	72	1	Shaft Washer
35	1	Screw M8 x 25	73	1	Vertical Column
36	1	Rubber Plate	74	1	Vertical Shaft
37	4	Rubber Foot	75	1	Swing Arm
38	1	Bead Breaker Blade	76	1	Inflator Cover Assembly

RAPID INFLATION CHASSIS ASSEMBLY



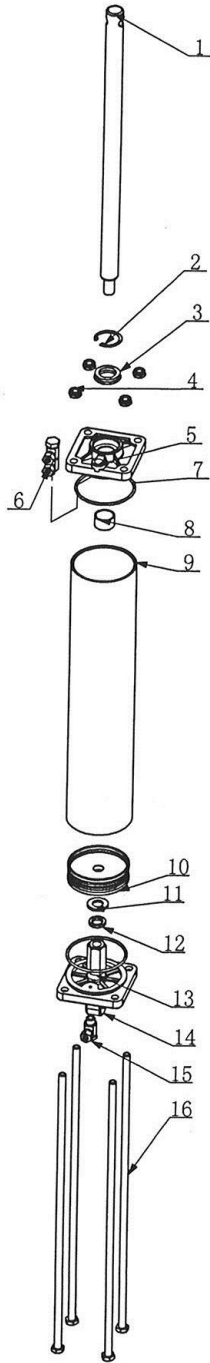
Item	Qty.	Description	Item	Qty	Description
1	1	Pedal	16	2	Screw M5 x 45
2	6	Torque Nut M6	17	4	Nut M5
3	1	Bracket – Valve Switch	18	1	Pressure reducing valve
4	2	Circlip 14	19	3	Insert Fitting $\Phi 8$ R1/8"
5	1	Ext. Spring Pedal	20	2	Screws Plug R1/8" x 10
6	1	Valve – 3	21	1	Fitting
7	1	Tray	22	1	Connect Rod Support
8	5	Spacer	23	1	Shaft
9	3	Bolt	24	1	Torque Nut M8
10	6	O-rings 9.5 x 4	25	6	Washer 5
11	1	Spring Pins 4 x 20	26	1	Screw M6 x 30-N
12	1	Spring	27	2	Screw M5 x 25-N
13	1	Washer SMWC 10	28	2	Washer 5
14	1	Top	29	2	Nut M6
15	1	Valve Axis	30	1	Pin Shaft

ROCKER ASSEMBLY



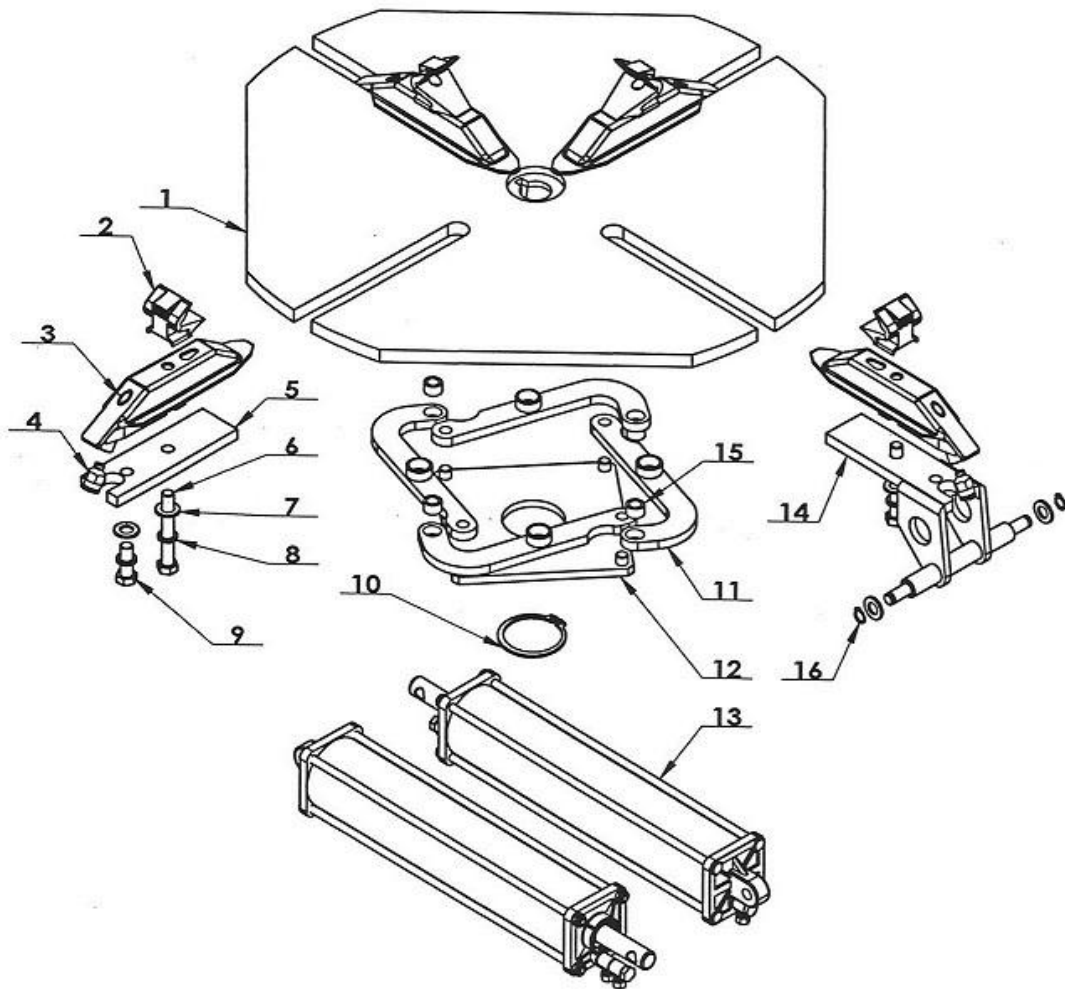
Item	Qty	Description	Item	Qty	Description
1	1	Screw M10 x 30	14	1	Rubber Cover
2	1	Vertical Shaft Cover	15	1	Lock Handle
3	1	Vertical Shaft Spring	16	1	Decorating Cover
4	1	Hexagon Shaft	17	1	Shock Absorber Washer
5	1	Swing Arm	18	2	Screw M12 x 12-N
6	1	Vertical Shaft Spring	19	2	Screw M12 x 16-N
7	1	Screw M10 x 10-N	20	1	Demounting Head
8	1	Circlip 25	21	1	Plastic Cover
9	1	Adjusting Washer	22	1	Press Washer
10	1	Nut M10	23	1	Washer 10
11	2	Nut M10	24	1	Bolt M10 x 25
12	2	Washer 10	25	1	Roller
13	1	Hexagon Lock Plate	26	1	Roller Bolt

CYLINDER ASSEMBLY



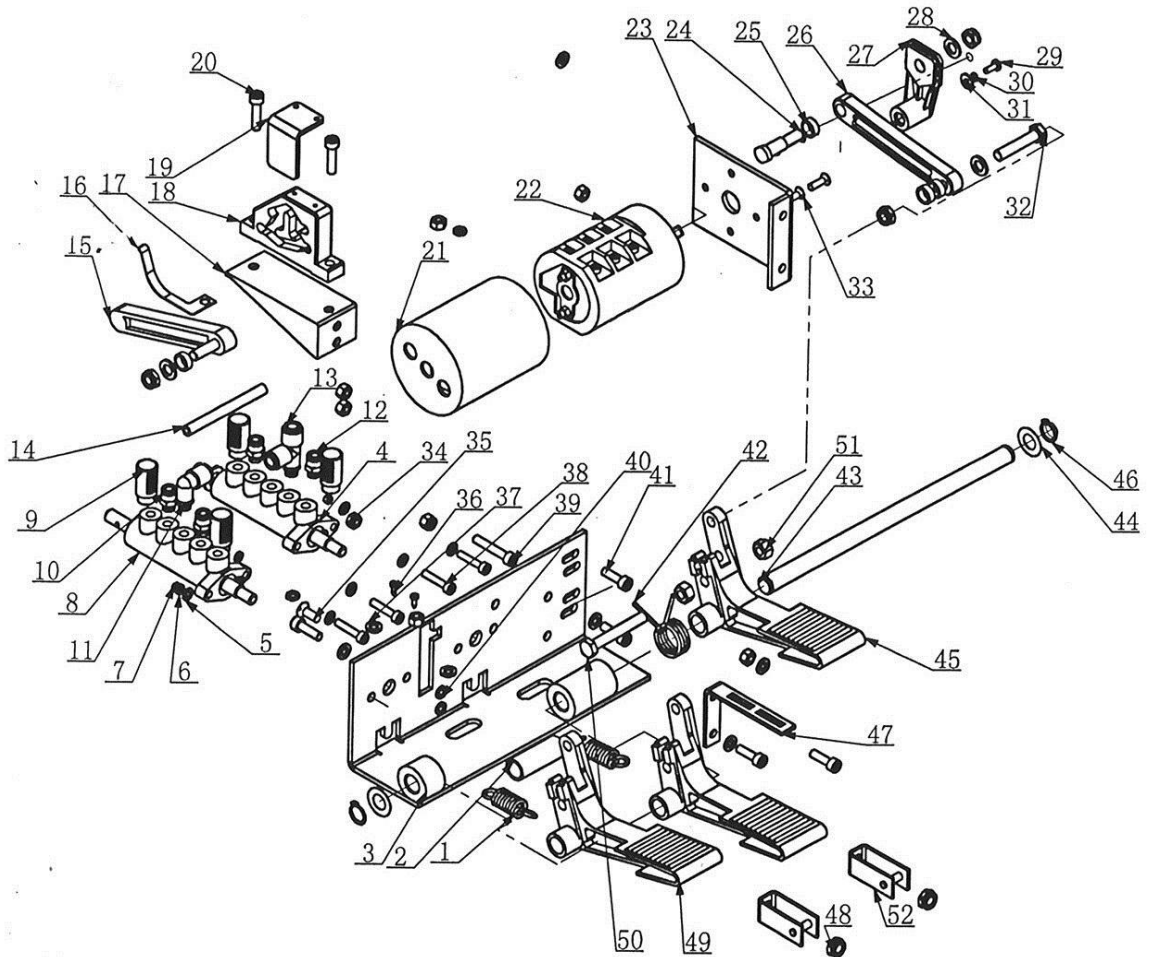
Item	Qty	Description
1	1	Shaft-Cylinder
2	1	Circlip 30
3	1	Seal-Rod, Cylinder
4	4	Nut M8
5	1	Front Cover
6	1	Hinge Tee
7	2	O Ring 65 x 2.65
8	1	Bearing-slide
9	1	Sleeve-cylinder 70
10	1	Piston-W/Wshr, Assy
11	1	Washer 12
12	1	Washer 12
13	1	Nut 12
14	1	Rear Cover
15	1	Hinge Elbow
16	4	Bolt

TABLE TOP ASSEMBLY



Item	Qty	Description	Item	Qty	Description
1	1	Plate-F	9	4	Bolt M12 x 35
2	4	Clamp	10	1	Circlip 65
3	4	Grip Cover Welding	11	4	Connect Plate Assembly
4	4	Insert Fitting D10, R1/8	12	1	Plate-Pivot
5	2	Bottom Chute Pressure Plate	13	2	Cylinder Assembly
6	4	Bolt M12 x 85	14	2	Bracket-cylinder
7	12	Washer 12	15	4	Pull board Sheath
8	8	Washer 12	16	4	Circlip 12 x 1

FOOT PEDAL ASSEMBLY



Item	Qty	Description	Item	Qty	Description
1	2	Spring	27	1	Reverse Lever 8
2	1	Spacer	28	4	Washer 8
3	1	Pedal Support	29	1	Screws M4 x 10
4	1	Valve – A	30	1	Washer 4
5	8	Washer 5	31	1	Washer 4
6	4	Washer 5	32	1	Bolt M8 x 40
7	5	Nut M5	33	4	Screw M5 x 16
8	1	Valve – B	34	10	Nut M6
9	4	Muffler $\Phi 8$	35	1	Screw M6 x 16
10	2	Insert Fitting $\Phi 6$, R1/8"	36	2	Screw ST2.9 x 9.5
11	1	Insert elbow $\Phi 8$, R1/8"	37	7	Washer 6

12	2	Insert Fitting $\Phi 8$, R1/8"	38	4	Screw M5 x 25-N
13	1	Fitting-Tee $\Phi 8$, R1/8"	39	1	Screw M6 x 35
14	1	Hose 8-5mm	40	8	Washer 6
15	1	Valve connecting rod	41	5	Screw M6 x 20-N
16	1	Fork Spring Plate	42	1	Torsion Spring
17	1	Cam Bracket	43	1	Bottom Shaft
18	1	Cam	44	2	Washer – 12 x 0.5
19	1	Cam Plate	45	1	Pedal
20	2	Screw M6 x 25	46	2	Circlip 14
21	1	Switch Cover	47	1	Torsion Spring Bracket
22	1	Switch	48	5	Nut M8
23	1	Switch Support	49	2	Pedal
24	1	Rotation Shaft	50	1	Bolt M8 x 55
25	4	Spacer	51	2	Nut M8
26	1	Connection Rod	52	2	Bracket