

Daytona

AUTOMOTIVE EQUIPMENT

CANADIAN OWNED AND OPERATED
SINCE 1999

\$4,999.99*

Reg - \$6,700.00*

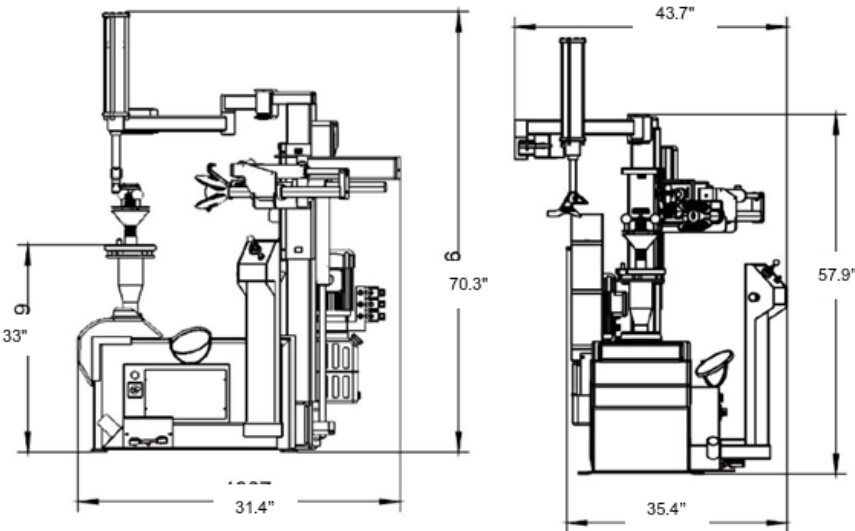
LIMITED OFFER - AVAILABLE WHILE
SUPPLIES LAST

Features

- Exclusive hydraulic up and down bead roller system aids mounting, demounting and ultra high bead loosening performance
- Easy Controls - Two switches control the central column moving up and down, the working head moving forward and back, and the disc wheel.
- Centre clamp design offers clamping on reverse and standard rims with a diameter of 12" - 30"
- Floating articulated pressing arm handles stiff, wide and low profile tires
- Wheel lifter - for easy tire lift installation reducing fatigue and making it easy to work on those heavy tires

CLEARANCE SALE

C-896CMLL - Centre Mount TIRE CHANGER



Specifications

Rim diameter	12" - 30"
Max Wheel Diameter	47"
Max wheel width	3" - 16"
Working Pressure	100-150PSI
Working Voltage	110V
Power	2.0 HP

DAYTONA AUTOMOTIVE EQUIPMENT | A DIVISION OF BUDGET AUTOMOTIVE EQUIPMENT

101 APPLEWOOD DR. | BRIGHTON, ON. K0K 1H0 | 1.866.219.9991

WWW.DAYTONAPRODUCTS.COM

DIMENSIONS, COLOURS AND ITEMS ARE SUBJECT TO CHANGE WITHOUT PRIOR NOTICE DUE TO DAYTONA'S CONTINUOUS IMPROVEMENT PROGRAM.

CLEARANCE ITEMS ARE SOLD AS IS WITHOUT OUR DAYTONA LIMITED WARRANTY