



TPO310ACX

H/D Two Post Lift
10,000 lbs. Capacity



The Daytona TPO310ACX 10,000 lb. ALI Certified Light Duty Two Post Lift is a premium Bi-Symmetric™ design clear floor vehicle lift with the latest design features including, 3 Stage front arms with full 180° rotation for symmetric & asymmetric lifting, low profile 4" adjustable swivel pads and single point cable lock release. The rigid one piece column combined with direct 'pull' cylinders make it the perfect service lift for passenger cars, SUVs & most light duty trucks. The automatic arm restraints, hose & door guards complete the package for a premium, high quality lift, all at a great value!

Features

- 10,000 LBS CAPACITY
- BI-SYMMETRIC LIFT ARMS
- LOW PROFILE SWING ARM DESIGN
- 3 STAGE FRONT ARMS
- ADJUSTABLE HEIGHT SWIVEL PADS
- 2" & 4" STACKABLE HEIGHT ADAPTORS
- SINGLE POINT LOCK RELEASE
- AUTOMATIC ARM RESTRAINTS
- DIRECT 'PULL' DRIVE CYLINDERS
- EXTERNAL HOSE GUARDS
- RUBBER DOOR GUARDS
- DURABLE POWDER-COAT FINISH
- **NEW** MET UL/CSA CERTIFIED DURO POWER UNIT
- ALI CERTIFIED



Specifications

Lift Model	TPO310ACX
Capacity	10,000 lbs (4536 Kgs)
Height Overall	144" (3658 mm)
Width Overall w/ Power Unit	145-1/2" (3696 mm)
Max Lift Height	71" (1803 mm)
Width Between Columns	116" (2947 mm)
Min. Pad Height	4" (102 mm)
Drive Thru Clearance	104" (2642 mm)
Lifting Speed	50S
Asymmetric / Symmetric	Bi-Symmetric
Clear Floor / Floor Plate	Clear Floor
Short Arm Reach - min/max	23" - 45" (588 - 1160 mm)
Long Arm Reach - min/max	41" - 59" (1004 - 1500 mm)
Narrow Bay Setting	NA
Max Load Per Arm	2,500 lbs (1134 Kgs)
Ceiling Height Required	145" (3683 mm)
Ship Weight	1,705 lbs (774 Kgs)
Power	220V - 20 AMP - 1 PH



Optional Accessory

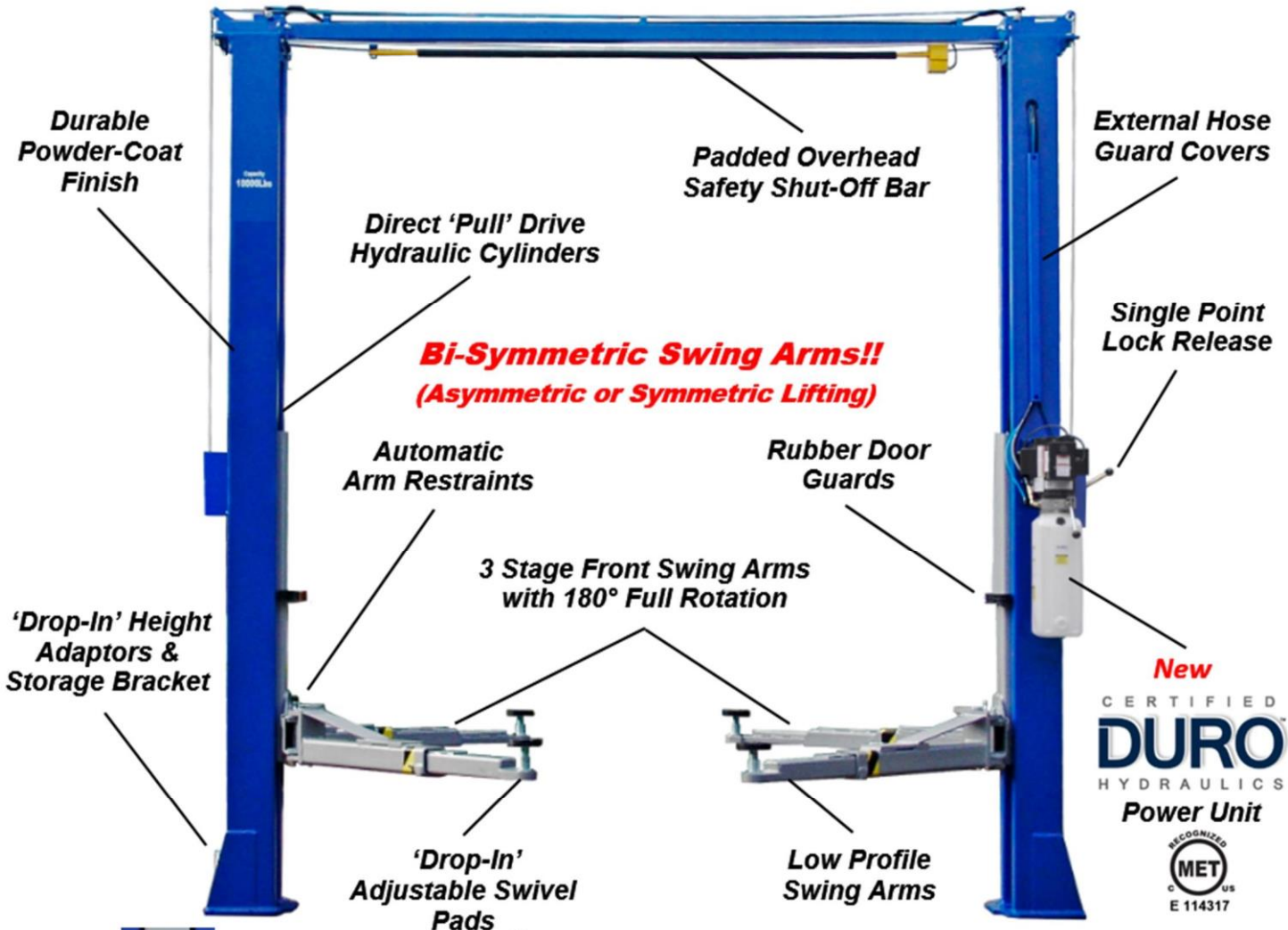
SPIN-UP CRADLE ADAPTORS
(Set of 4ea)
(P/N TP11DX-SPNCA)



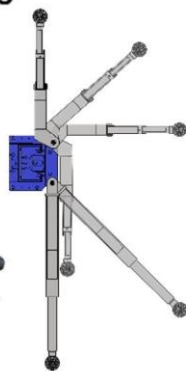
Daytona

TPO310ACX

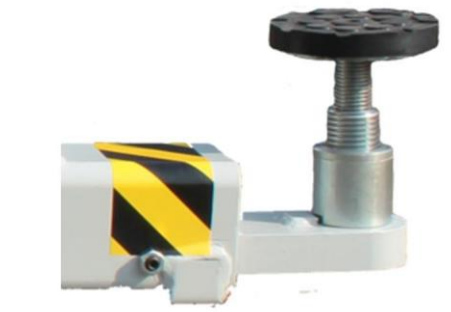
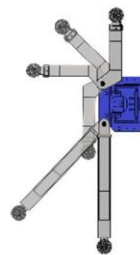
More Features, More Value!!



3 Stage Front Swing Arms with Asymmetrical & Symmetrical Full 180° Rotation



Asymmetrical & Symmetrical Swing Arm Configurations



Double Telescoping Swivel Pad: Double Telescoping Swivel Pads with 2-3/8" Height Adjustment

Daytona

AUTOMOTIVE EQUIPMENT

101 Applewood Drive, Brighton, ON, Canada
Toll Free: 1.866.219.9991, Local: 613.475.5400
<http://daytonaproducts.com/>